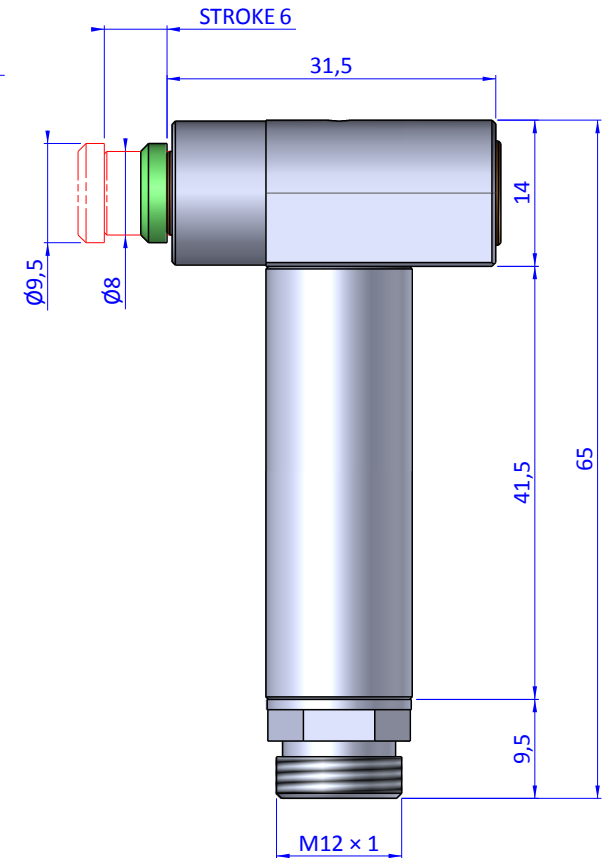
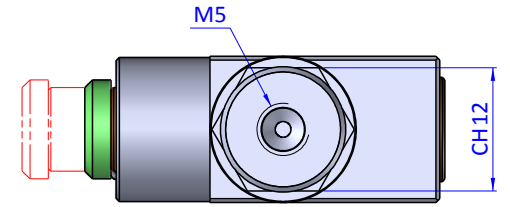
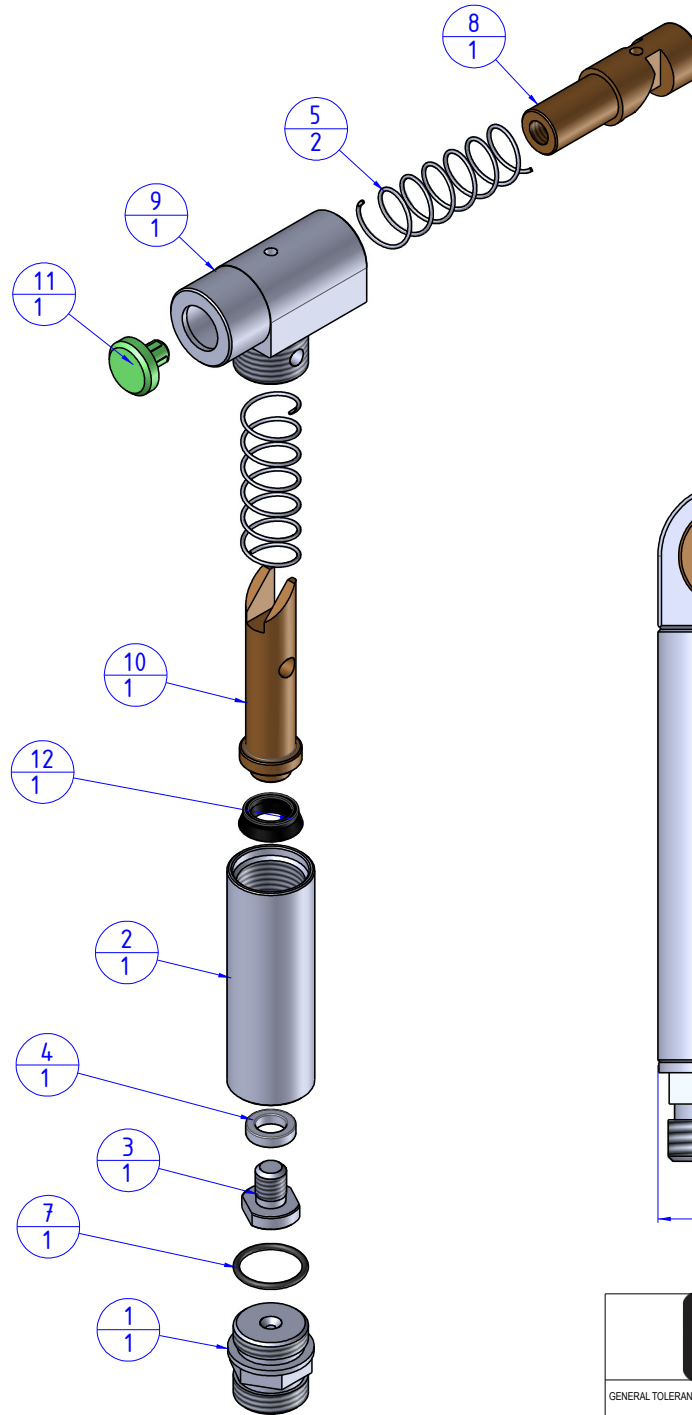


THE PROPERTY OF THE DRAWING IS ESTABLISHED BY LAW. IT IS FORBIDDEN TO PRODUCE OR SHOW IT TO THIRD PARTY WITHOUT A WRITTEN AGREEMENT.

Item	Name	Q.ty
1	GRF14.95.01	1
2	GRF14.95.02	1
3	GRF14.95.03.2	1
4	GRF14.95.10	1
5	M.10X32A	2
7	ORM.0100.10	1
8	PMA.1406.1	1
9	PMA.1406.2	1
10	PMA.1406.3	1
11	PPS.1406.07.V	1
12	PSP.100603	1



Format A3

UNI 936-76

		DESIGNED FROM	REVIEW
		FP SERVICES	A / 24
GENERAL TOLERANCE	DESCRIPTION	DATE	WEIGHT
UNI - ISO 2768	CA.PMA.1406	09/10/2018	0,047kg
CLASSE f		CODE	
		CA.PMA.1406	CA.PMA.1406